

# 4MP WDR VF Eyeball Network IR Camera

IPC3634ER3-DPZ28



## Key Features



## Optics

- Day/night functionality
- Optical glass window with higher light transmittance
- IR anti-reflection window to increase the infrared transmittance
- Smart IR, up to 30m (98ft) IR distance
- 2D/3D DNR (Digital Noise Reduction)

## Compression

- Ultra 265, H.265, H.264, MJPEG
- Triple streams

- 9:16 corridor mode

## Network

- ONVIF Conformance

## Structure

- Support PoE power supply
- Wide temperature range: -40°C ~ 60°C (-40°F ~ 140°F)
- Wide voltage range of ±25%
- IP67
- 3-Axis

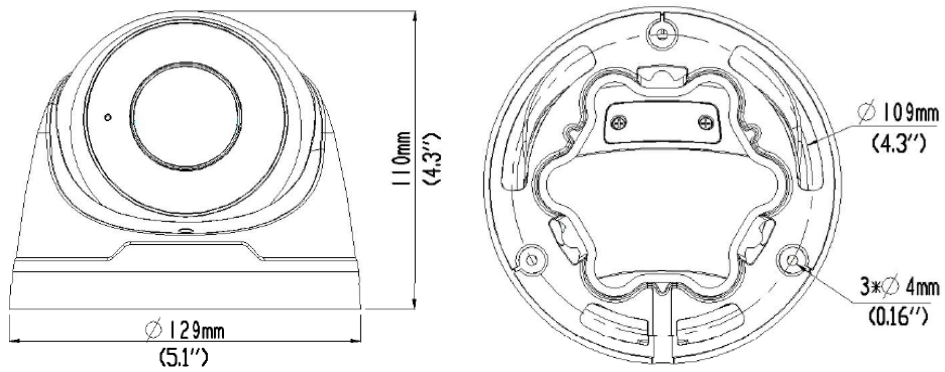
## Specifications

| IPC3634ER3-DPZ28     |   |            |                |               |                   |
|----------------------|---|------------|----------------|---------------|-------------------|
| Camera               |   |            |                |               |                   |
| Sensor               | 1/3", 4.0 megapixel, progressive scan, CMOS               |            |                |               |                   |
| Lens                 | 2.8 ~ 12mm, AF automatic focusing and motorized zoom lens |            |                |               |                   |
| DORI Distance        | Lens (mm)   | Detect (m) | Observe (m)    | Recognize (m) | Identify (m)      |
|                      | 2.8   | 63         | 25.2           | 12.6          | 6.3               |
|                      | 12  | 270        | 108            | 54            | 27                |
| Angle of view (H)    | 91.0° ~ 27°   |            |                |               |                   |
| Angle of View (V)    | 54.4° ~ 13.7°   |            |                |               |                   |
| Angle of View (O)    | 118.3° ~ 33.2°  |            |                |               |                   |
| Adjustment angle     | Pan: 0° ~ 360°  |            | Tilt: 0° ~ 90° |               | Rotate: 0° ~ 360° |
| Shutter              | Auto/Manual, 1 ~ 1/100000s                                |            |                |               |                   |
| Minimum Illumination | Colour: 0.005Lux (F1.4, AGC ON)<br>0Lux with IR           |            |                |               |                   |
| Day/Night            | IR-cut filter with auto switch (ICR)                      |            |                |               |                   |
| S/N                  | >52dB   |            |                |               |                   |
| IR Range             | Up to 30m (98ft) IR range                                 |            |                |               |                   |
| wavelength           | 850nm   |            |                |               |                   |
| IR On/Off Control    | Auto/Manual   |            |                |               |                   |
| Defog                | Digital Defog   |            |                |               |                   |
| WDR                  | 120dB   |            |                |               |                   |

| Video                   |  |
|-------------------------|--|
| Video Compression       | Ultra 265, H.265, H.264, MJPEG   |
| H.264 code profile      | Baseline profile, Main Profile, High Profile   |
| Frame Rate              | Main Stream: 4MP (2592*1520), Max 20fps; 4MP (2560*1440), Max 25fps; 3MP (2048*1520), Max 30fps;<br>Sub Stream: 2MP (1920*1080), Max 30fps;<br>Third Stream: D1 (720*576), Max 30fps |
| Video Bit Rate          | 128 Kbps~16 Mbps   |
| 9:16 Corridor Mode      | Supported  |
| OSD                     | Up to 8 OSDs   |
| Privacy Mask            | Up to 8 areas  |
| ROI                     | Up to 8 areas  |
| Motion Detection        | Up to 4 areas  |
| Image                   |  |
| White Balance           | Auto/Outdoor/Fine Tune/Sodium Lamp/Locked/Auto2  |
| Digital noise reduction | 2D/3D DNR  |
| Smart IR                | Support  |
| Flip                    | Normal/Vertical/Horizontal/180°/90°Clockwise/90°Anti-clockwise   |
| Dewarping               | Support  |
| HLC                     | Support  |
| BLC                     | Support  |
| Smart                   |  |
| General Function        | Watermark, IP Address Filtering, Tampering Alarm, Access Policy, ARP Protection, RTSP Authentication, User Authentication  |
| Audio                   |  |
| Audio Compression       | G.711  |
| Suppression             | Supported  |
| Sampling Rate           | 8KHZ   |
| Storage                 |  |
| Edge Storage            | Micro SD, up to 256GB  |
| Network Storage         | ANR , NAS(NFS)   |
| Network                 |  |
| Protocols               | IPv4, IGMP, ICMP, ARP, TCP, UDP, DHCP, PPPoE, RTP, RTSP, RTCP, DNS, DDNS, NTP, FTP, UPnP, HTTP, HTTPS, SMTP, 802.1x, SNMP, QoS   |
| Compatible Integration  | ONVIF (Profile S, Profile G, Profile T), API   |
| Client                  | EZStation<br>EZView<br>EZLive  |
| Web Browser             | Plug-in required live view: IE9+, Chrome 41 and below, Firefox 52 and below  |
|                         | Plug-in free live view: Chrome 57.0+, Firefox 58.0+, Edge 16+, Safari 11+  |
| Interface               |  |
| Built-in Mic            | Supported  |
| Network                 | 1 RJ45 10M/100M Base-TX Ethernet   |
| Certifications          |  |
| Certifications          | CE: EN 60950-1<br>UL: UL60950-1<br>FCC: FCC Part 15  |

| General             |  |
|---------------------|--|
| Power               | DC 12V±25%, PoE (IEEE 802.3af)                                   |
|                     | Power consumption: Max 8.16W                                     |
| Dimensions (Ø x H)  | Φ129 x 110mm (Ø5.08" x 4.3")                                     |
| Net Weight          | 0.82kg (1.8lb)   |
| Material            | Metal  |
| Working Environment | -40°C ~ 60°C (-40°F ~ 140°F), Humidity: ≤95% RH (non-condensing) |
| Storage Environment | -40°C ~ 60°C (-40°F ~ 140°F), Humidity: ≤95% RH (non-condensing) |
| surge protection    | 6KV  |
| Ingress Protection  | IP67   |
| Reset Button        | Supported  |

## Dimensions



## Accessories

TR-JB03-H-IN



TR-UP06-IN

TR-JB07/WM03-F-IN



TR-SE24-IN

TR-WM03-B-IN



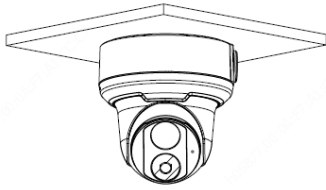
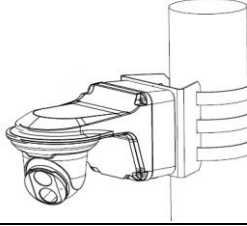
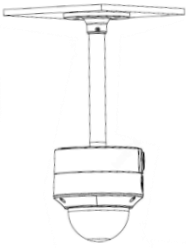
TR-SE24-A-IN

TR-A01-IN



TR-CM24-IN



| Junction box  | Pole mount  |
|---|---|
| TR-JB03-H-IN+TR-A01-IN  | TR-JB07/WM03-F-IN (TR-WM03-B-IN)+ TR-UP06-IN  |
|   |  |
| Indoor pendent mount  |   |
| TR-JB04-D-IN+TR-A01-IN+ TR-SE24-IN(TR-SE24-A-IN)+ TR-CM24-IN                        |   |
|  |   |

**Zhejiang Uniview Technologies Co., Ltd.**

Building No.10, Wanlun Science Park, Jiangling Road 88, Binjiang District, Hangzhou, Zhejiang, China (310051)

Email: [overseasbusiness@uniview.com](mailto:overseasbusiness@uniview.com); [globalsupport@uniview.com](mailto:globalsupport@uniview.com)

<http://www.uniview.com>

©2019 Zhejiang Uniview Technologies Co., Ltd. All rights reserved.

\*Product specifications and availability are subject to change without notice.